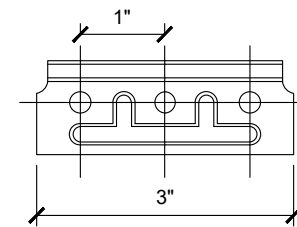
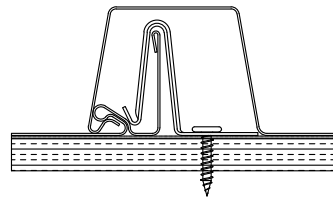
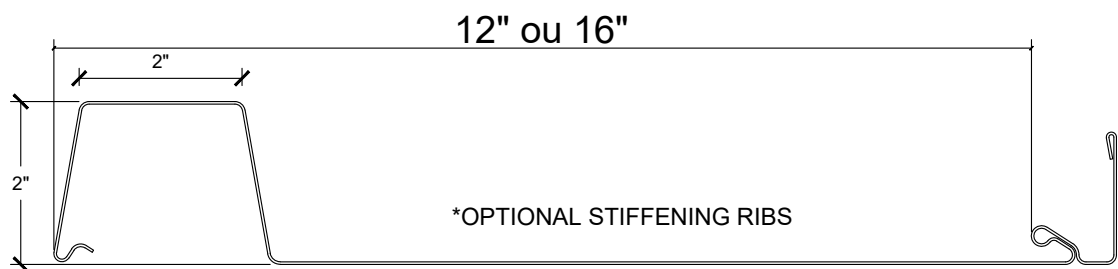
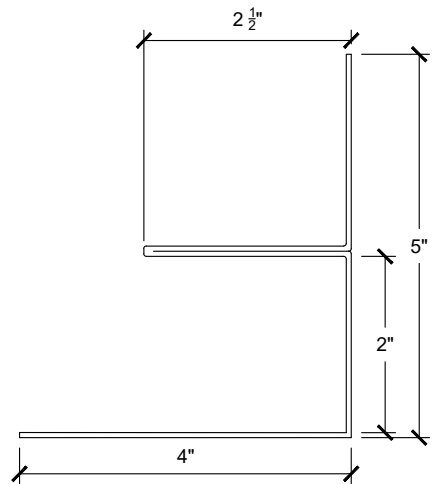


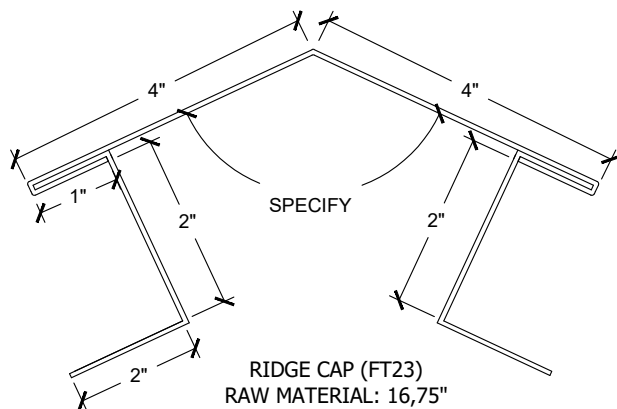
MONARCH PANEL MRB120 (12") AND MRB160 (16")



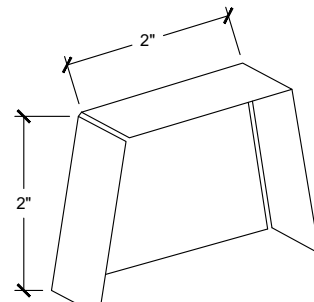
PANEL CLIP (24" c/c)
(MRS990)



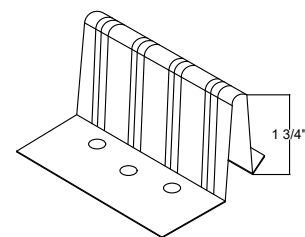
ROOF/WALL JUNCTION TRIM
(TM23)
RAW MATERIAL: 16,25"



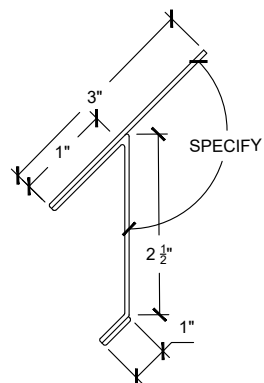
RIDGE CAP (FT23)
RAW MATERIAL: 16,75"



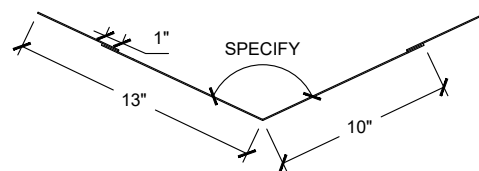
① METAL PLUG
(MRB001)



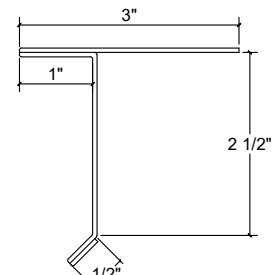
PANEL CLIP
ELEVATION (24" c/c)
(MRS990)



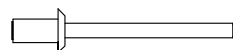
EAVE TRIM
(MD10)
RAW MATERIAL: 7,5"



VALLEY
(NO10)
RAW MATERIAL: 30,0"



GABLE TRIM
(MD20)
RAW MATERIAL: 7,5"

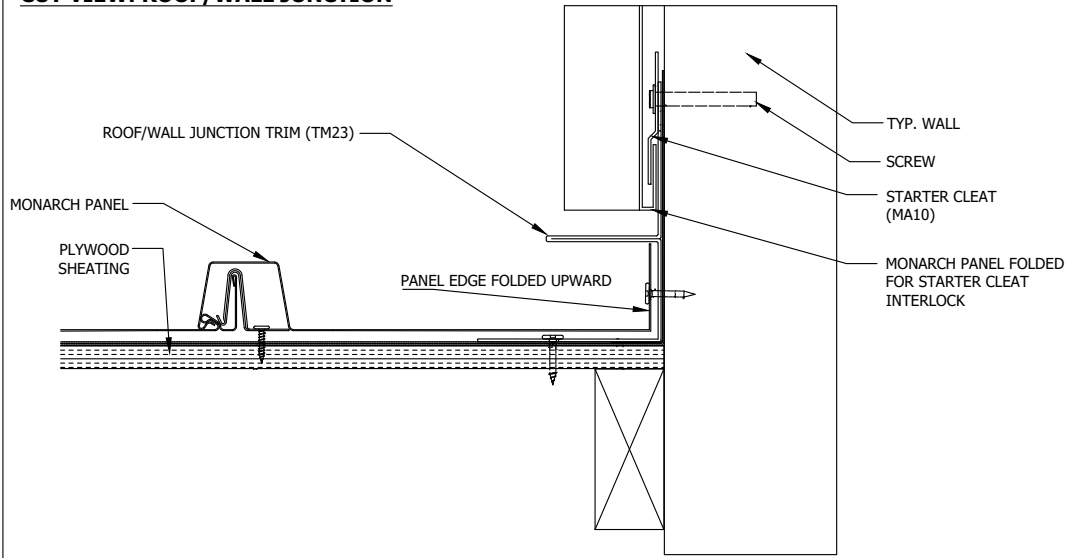


POP RIVET
PAINTED STAINLESS STEEL
(RSR3)

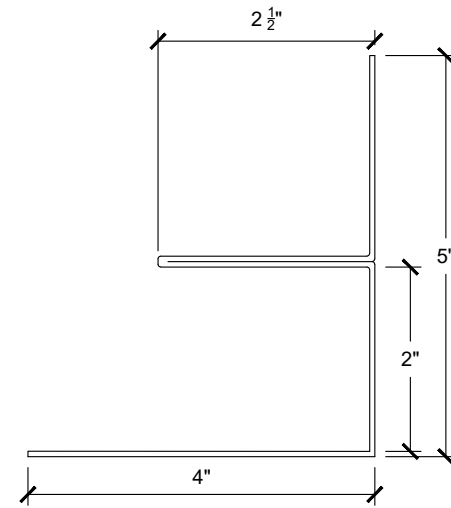
ER Tiles
ARCHITECTURAL METAL SIDING · ROOFING
3856 Rue Imelda-Lefebvre,
Sherbrooke
QC J1N 1B2
Tél: (819) 791-3276

Product: MONARCH ROOF PANEL		
*Vertical installation on roof Aluminum 0.032", 0.040" Steel 24 GA.		
Technical file	Page 1 / 6	Update: 2022 - 05 - 09

CUT VIEW: ROOF/WALL JUNCTION



TRIM DETAIL

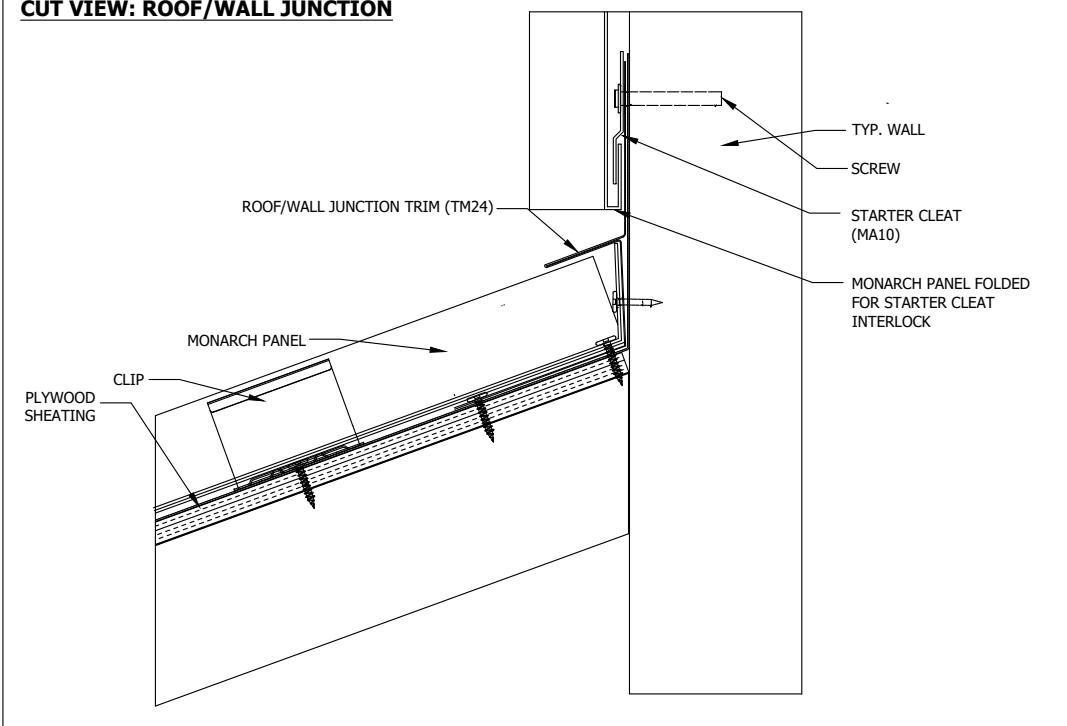


Trim name: Roof/wall junction trim

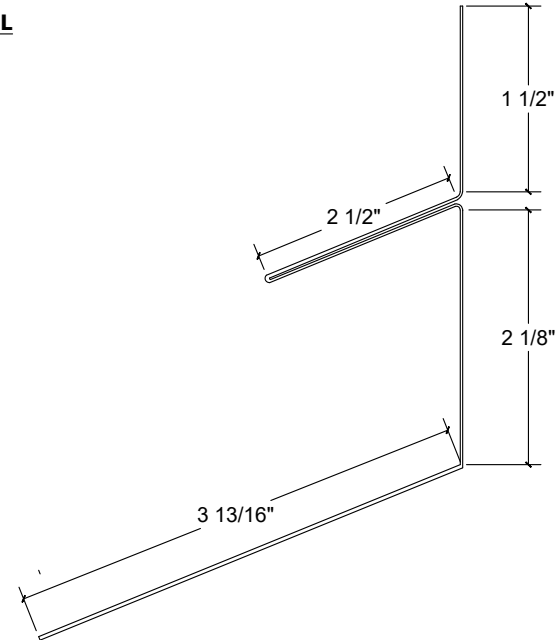
Product number: TM23

Raw material: 16,25"

CUT VIEW: ROOF/WALL JUNCTION



TRIM DETAIL



Trim name: Roof/wall junction trim

Product number: TM24

Raw material: 12,44"



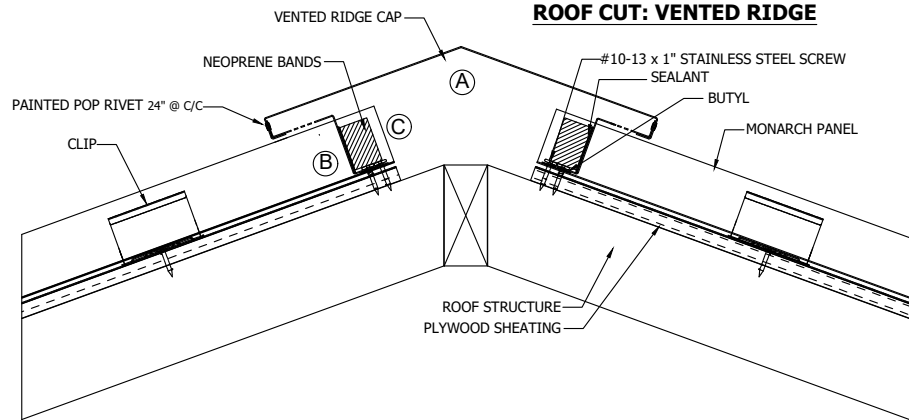
ARCHITECTURAL METAL SIDING · ROOFING
3856 Rue Imelda-Lefebvre,
Sherbrooke

QC J1N 1B2
Tél: (819) 791-3276

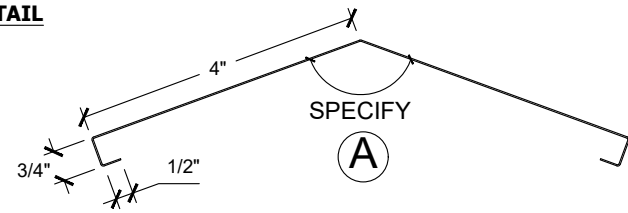
Product: MONARCH ROOF PANEL:
ROOF/WALL JUNCTION

***Vertical installation on roof**
Aluminum 0.032", 0.040"
Steel 24 GA.

ROOF CUT: VENTED RIDGE



TRIM DETAIL

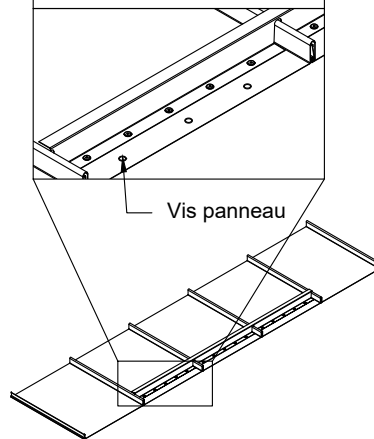


Trim name: Vented ridge cap
Product number: MRA322
Dimensions: To be specified

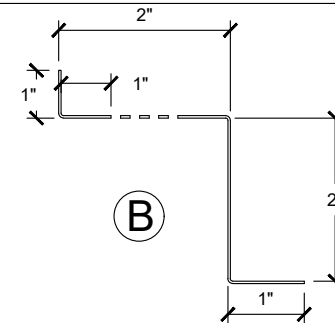
NEOPRENE BANDS: (C)

RSO022-MRB120 (36" LENGTH)
 RSO023-MRB160 (32" LENGTH)

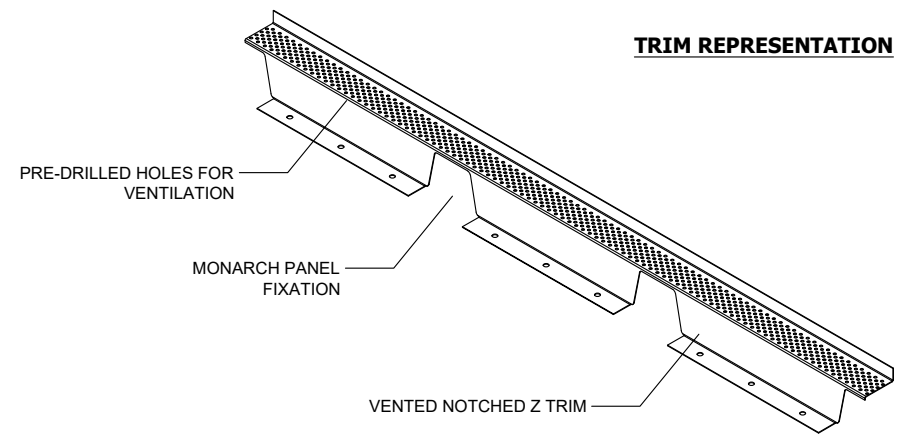
Vented notched z trim
 MRA911
 (Screw every 3")



TRIM DETAIL



TRIM REPRESENTATION



Nom de la moule: Vented notched z trim
Numéro du produit: MRA911 (Lengths of 12" AND 16")



ARCHITECTURAL METAL SIDING · ROOFING
 3856 Rue Imelda-Lefebvre,
 Sherbrooke

QC J1N 1B2
 Tél: (819) 791-3276

Product: MONARCH ROOF PANEL:
 VENTED RIDGE

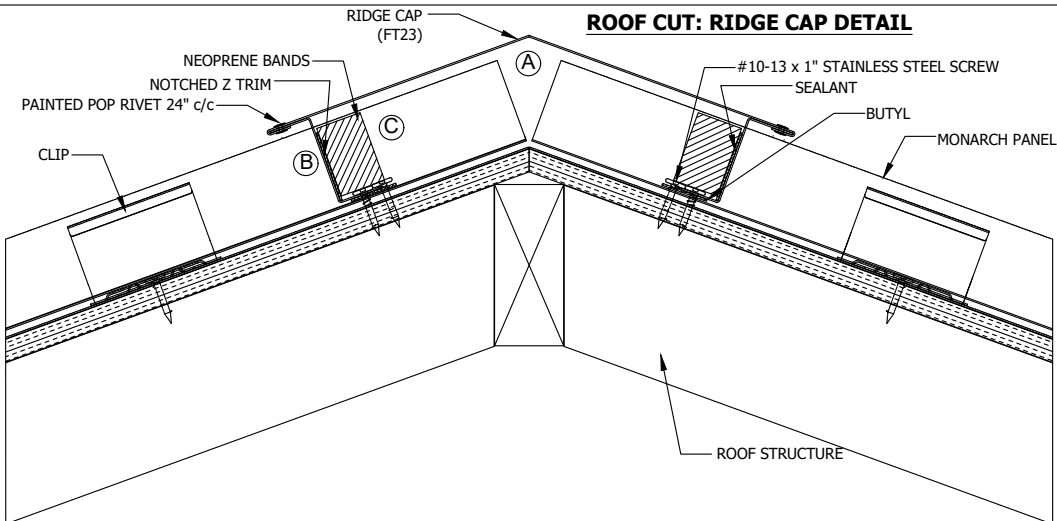
***Vertical installation on roof**
 Aluminum 0.032", 0.040"
 Steel 24 GA.

Technical file

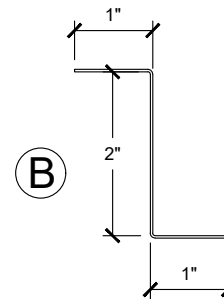
Page
 3 / 6

Update:
 2022 - 05 - 09

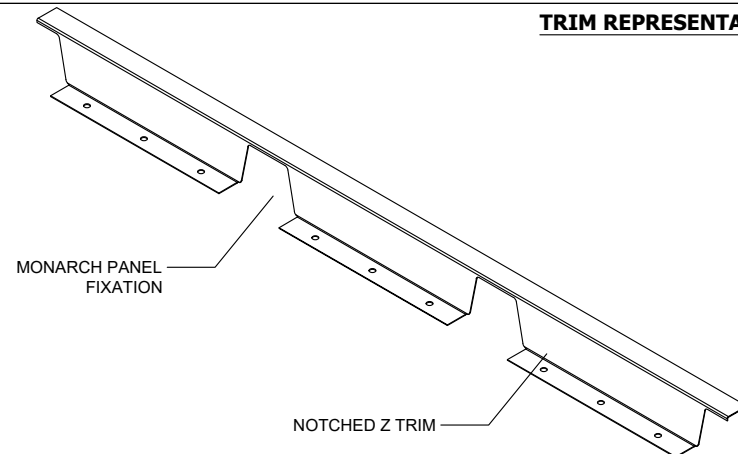
ROOF CUT: RIDGE CAP DETAIL



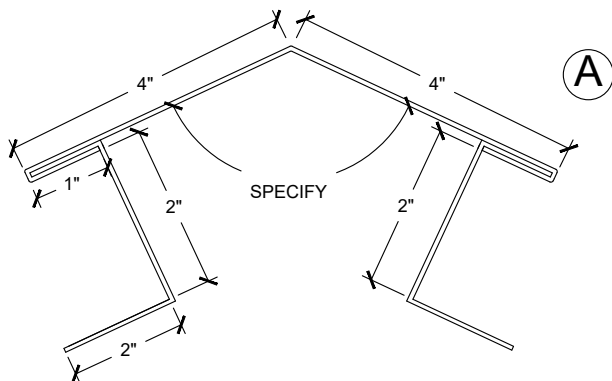
TRIM DETAIL



TRIM REPRESENTATION

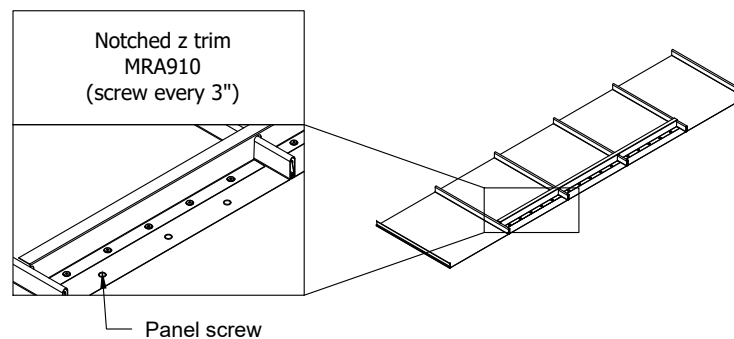


TRIM DETAIL



Trim name: Notched z trim
Product name: MRA910 (12' et 16" length)

Trim name: Ridge cap
Product number: FT23
Angle: To be specified



NEOPRENE BANDS: (C)

RSO022-MRB120 (36" LENGTH)
 RSO023-MRB160 (32" LENGTH)



ARCHITECTURAL METAL SIDING · ROOFING

3856 Rue Imelda-Lefebvre,
 Sherbrooke

QC J1N 1B2

Tél: (819) 791-3276

Product: MONARCH ROOF PANEL:
 RIDGE DETAIL

***Vertical installation on roof**
 Aluminum 0.032", 0.040"
 Steel 24 GA.

Technical file

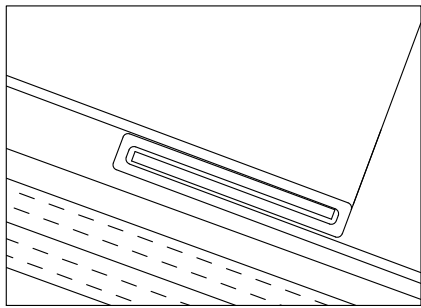
Page

4 / 6

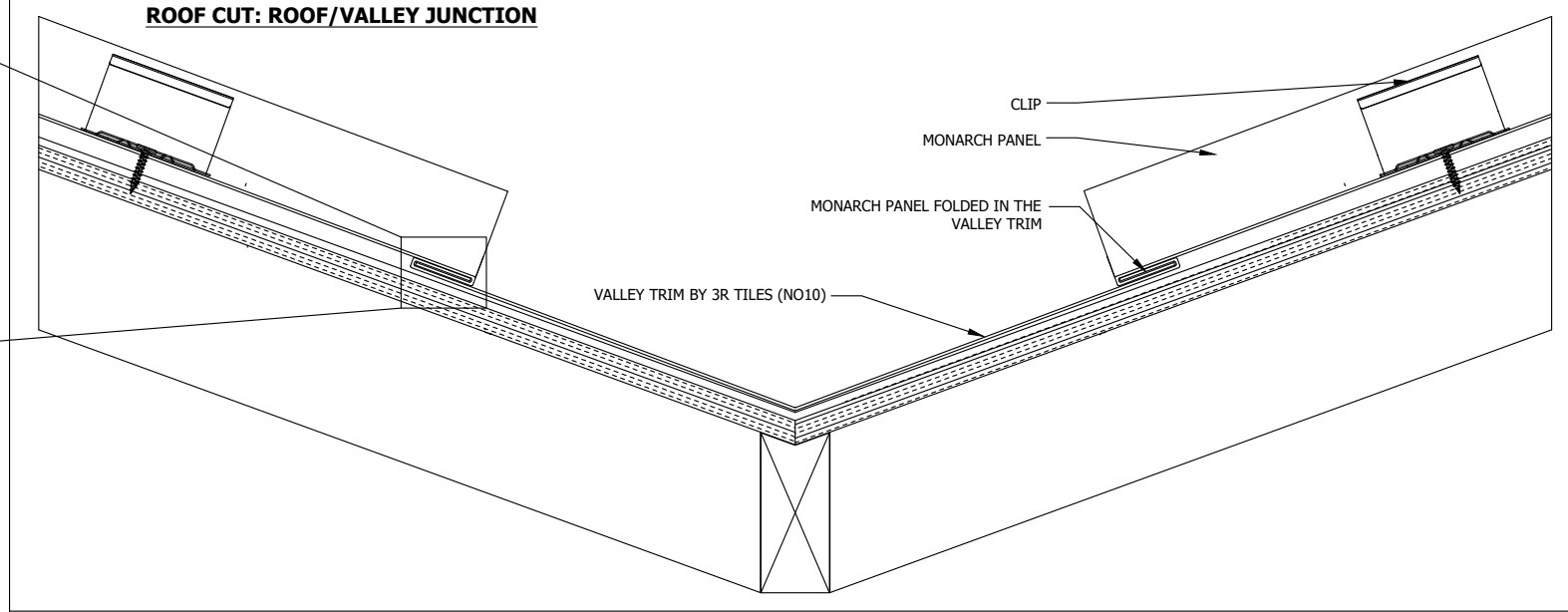
Update:

2022 - 05 - 09

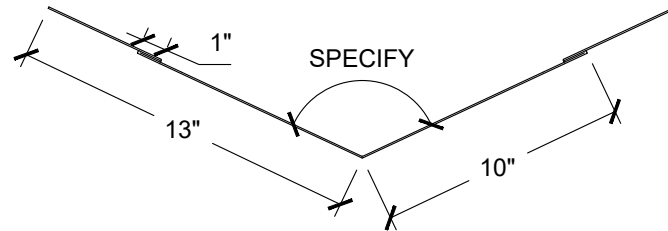
ROOF CUT: ROOF/VALLEY JUNCTION



MONARCH PANEL FOLDED IN THE VALLEY TRIM FOR INTERLOCKING

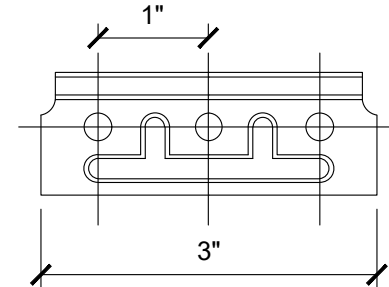


TRIM DETAIL



Trim name: VALLEY
Product number: NO10

CLIP DETAIL



Accessory name: Clip (24" C/C)
Product number: MRS904



ARCHITECTURAL METAL SIDING · ROOFING
3856 Rue Imelda-Lefebvre,
Sherbrooke

QC J1N 1B2
Tél: (819) 791-3276

Product: MONARCH ROOF PANEL:
VALLEY DETAIL

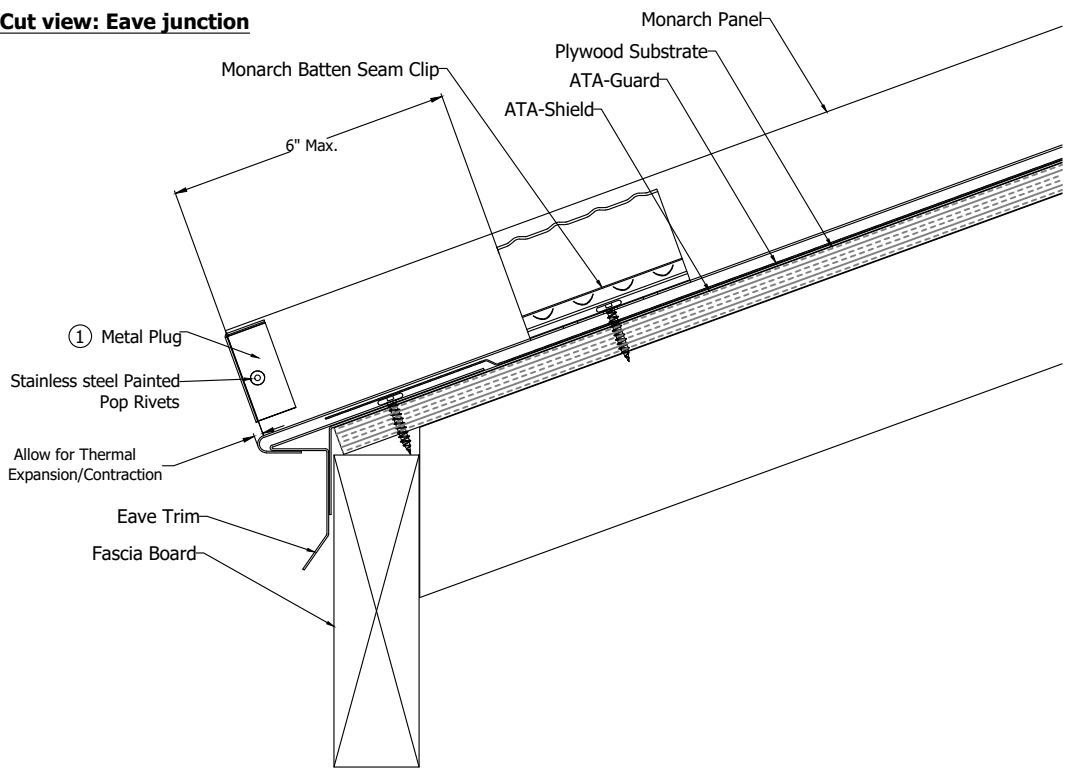
***Vertical installation on roof**
Aluminum 0.032", 0.040"
Steel 24 GA.

Technical file

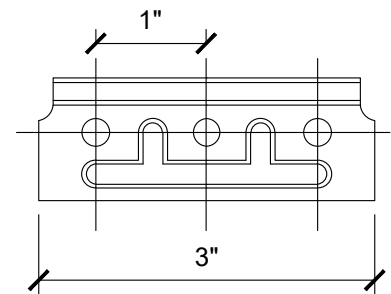
Page
5 / 6

Update:
2022 - 05 - 09

Cut view: Eave junction

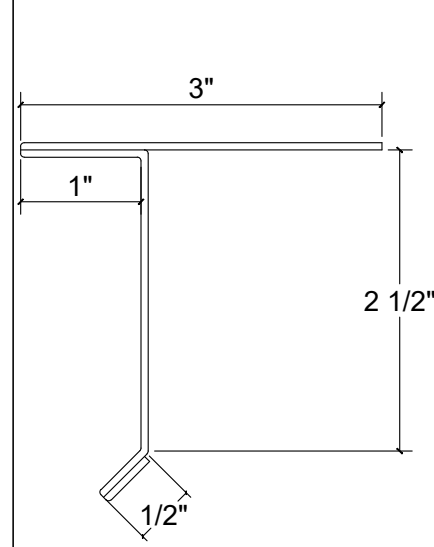


CLIP DETAIL



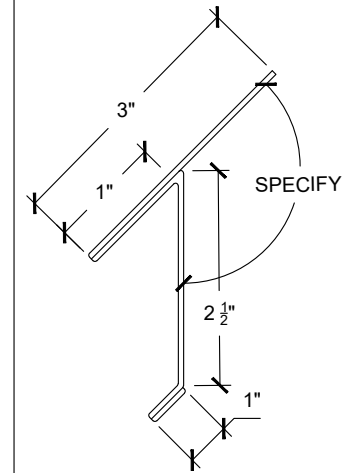
Accessory name: Clip (24" C/C)
Product number: MRS990

TRIM DETAIL



Trim name: Gable trim
Product number: MD20

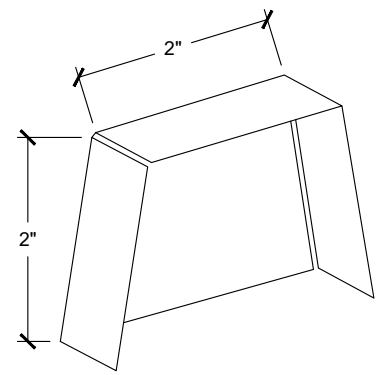
TRIM DETAIL



Trim name: Eave trim
Product number: MD10

①

PLUG DETAIL



Accessory name: Monarch aluminum plug
Product number: MRB001



ARCHITECTURAL METAL SIDING · ROOFING
 3856 Rue Imelda-Lefebvre,
 Sherbrooke
 QC J1N 1B2
 Tél: (819) 791-3276

Product: MONARCH ROOF PANEL:
 EAVE DETAIL

***Vertical installation on roof**
 Aluminum 0.032", 0.040"
 Steel 24 GA.