

Pop rivet
painted stainless steel
(RSR3)



ARCHITECTURAL METAL SIDING · ROOFING
3856 Rue Imelda-Lefebvre,
Sherbrooke
QC J1N 1B2
Tél: (819) 791-3276

Product:
DUTCH SEAM PANEL

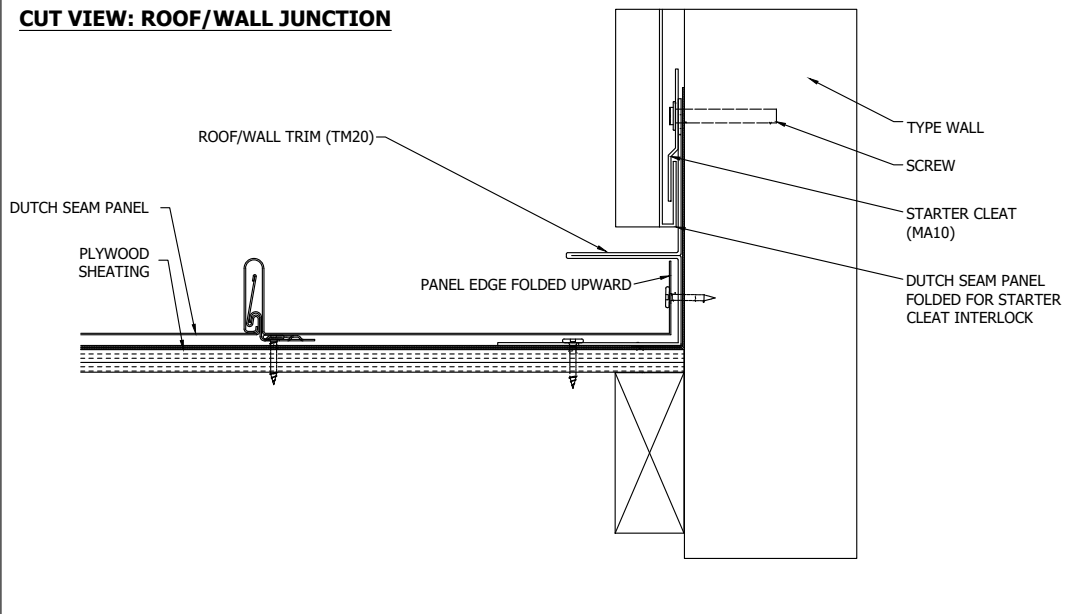
*Vertical installation on roof
Aluminum 0.032", 0.040"
Steel 24 GA.

Technical file

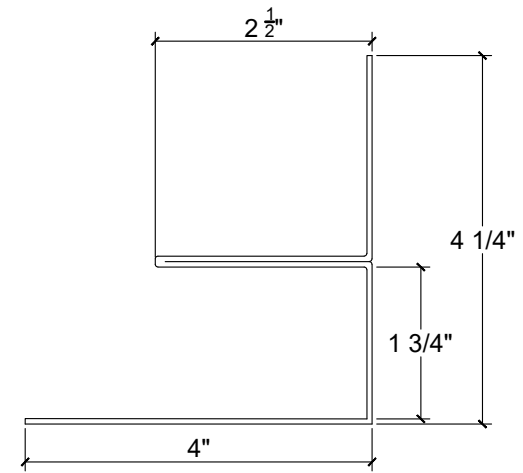
Page:
1 / 6

Update:
2022 - 05 - 09

CUT VIEW: ROOF/WALL JUNCTION



TRIM DETAIL

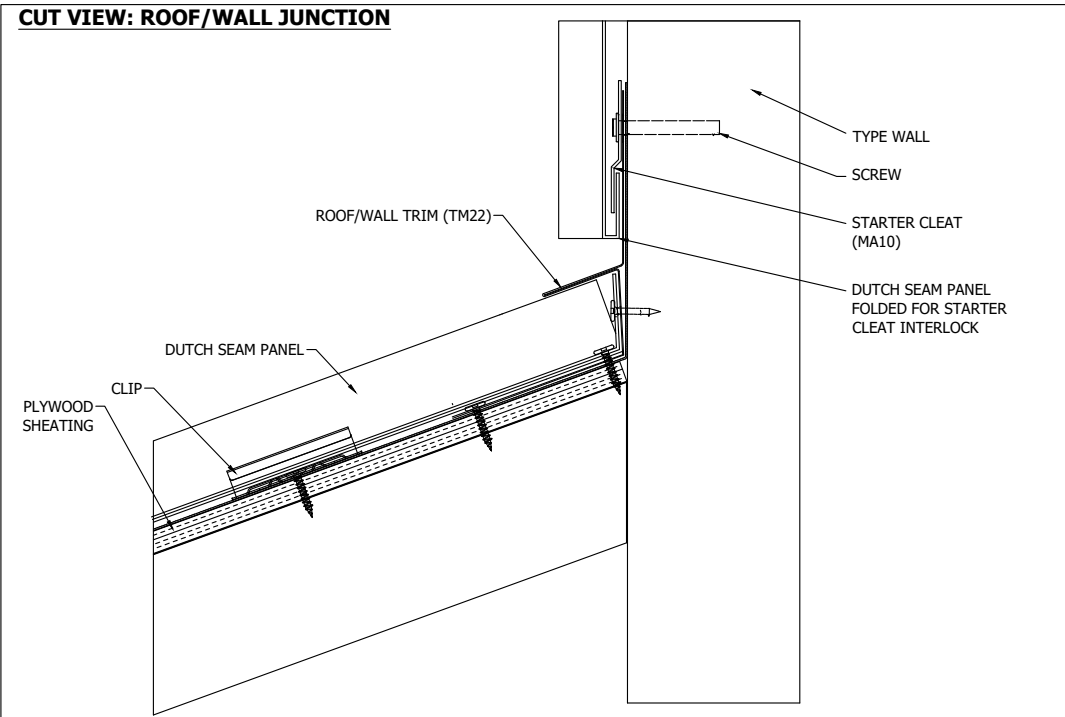


Trim name: Roof/wall junction trim

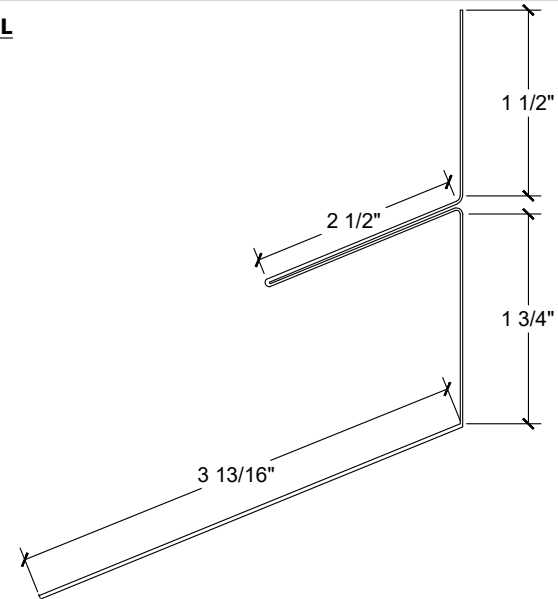
Product number: TM20

Raw material: 13,25"

CUT VIEW: ROOF/WALL JUNCTION



TRIM DETAIL



Trim name: Roof/wall junction trim

Product number: TM22

Raw material: 12,063"



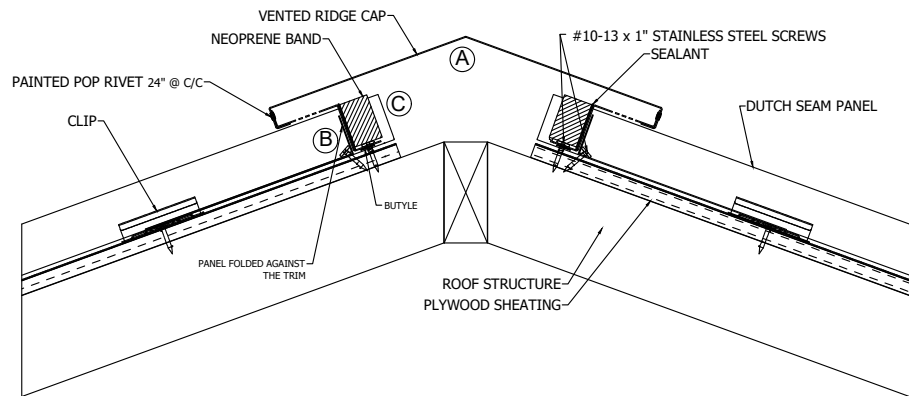
ARCHITECTURAL METAL SIDING • ROOFING
3856 Rue Imelda-Lefebvre,
Sherbrooke

QC J1N 1B2
Tél: (819) 791-3276

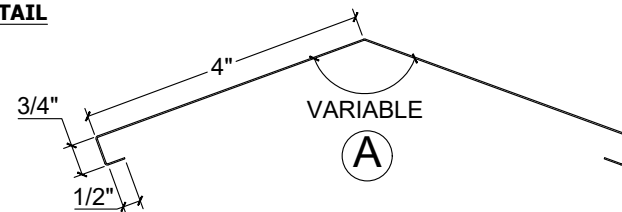
Product: DUTCH SEAM PANEL:
ROOF/WALL JUNCTION

***Vertical installation on roof**
Aluminum 0.032", 0.040"
Steel 24 GA.

ROOF CUT: VENTED RIDGE



TRIM DETAIL

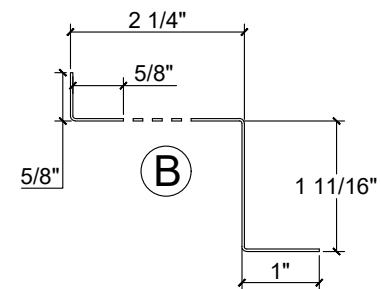


Trim name: Vented ridge cap

Product number: MDA322

Dimensions: To be specified

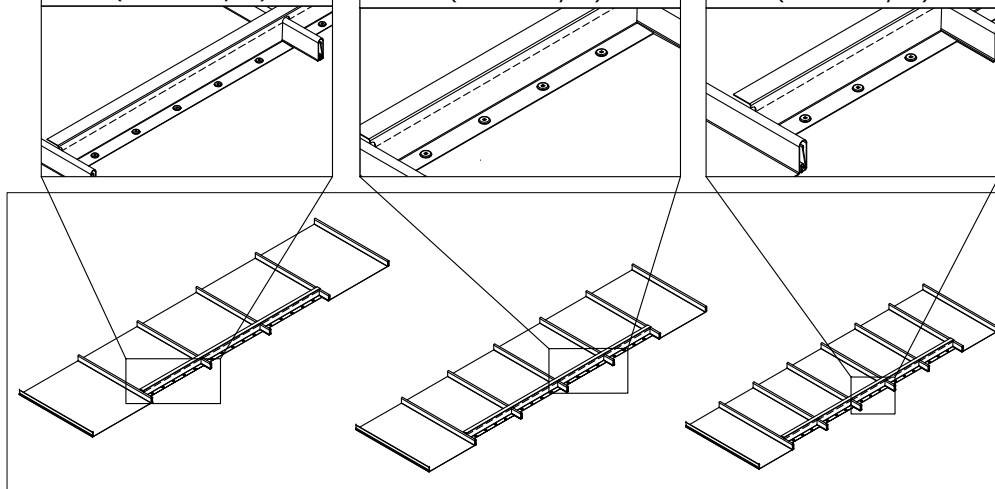
TRIM DETAIL



Vented notched z trim
MDA926 (58 $\frac{1}{8}$ ")
covers 3 panels MRD194
(screw every 3")

Vented notched z trim
MDA925 (60 $\frac{1}{2}$ ")
covers 4 panels MRD115
(screw every 3")

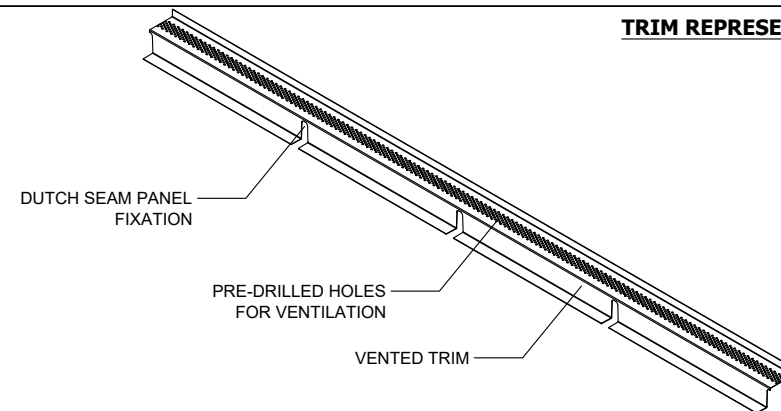
Vented notched z trim
MDA924 (55 $\frac{1}{8}$ ")
covers 5 panels MRD110
(screw every 3")



NEOPRENE BANDS: C

RSO27-MRD110 (22" LENGTH)
RSO028-MRD150 (30" LENGTH)
RSO029-MRD194 (38 1/2" LENGTH)

TRIM REPRESENTATION



Trim name: Vented notch z trim

Product number:

MDA924 (11" panel): The trim can cover up to 5 panels

MDA925 (15" panel): The trim can cover up to 4 panels

MDA926 (19 1/4" panel): The trim can cover up to 3 panels



ARCHITECTURAL METAL SIDING • ROOFING
3856 Rue Imelda-Lefebvre,
Sherbrooke

QC J1N 1B2
Tél: (819) 791-3276

Product: DUTCH SEAM PANEL:
VENTED RIDGE

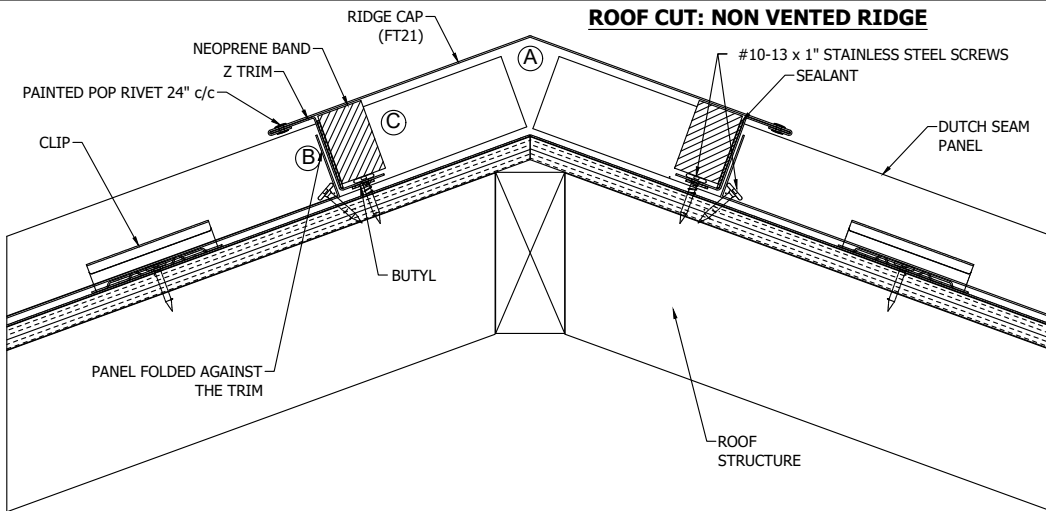
***Vertical installation on roof**
Aluminum 0.032", 0.040"
Steel 24 GA.

Technical file

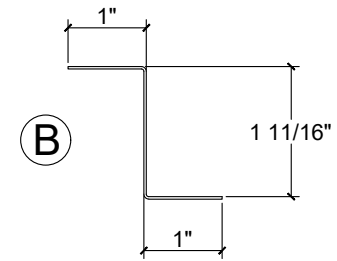
Page:
3 / 6

Update:
2022 - 05 - 09

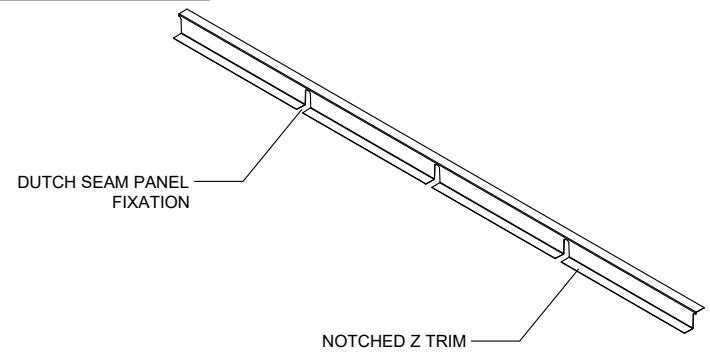
ROOF CUT: NON VENTED RIDGE



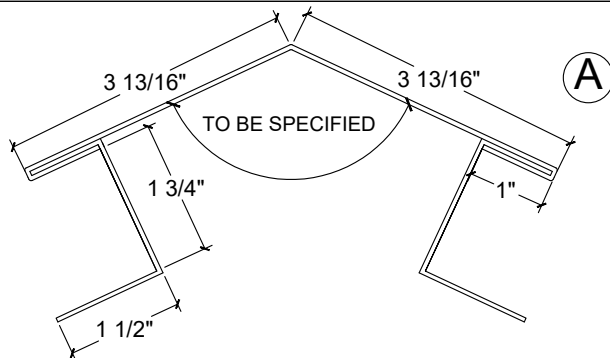
TRIM DETAIL



TRIM REPRESENTATION



TRIM DETAIL



Trim name: Vented notched z trim

Product number:

MDA921 (11" panel): The trim can cover up to 5 panels

MDA922 (15" panel): The trim can cover up to 4 panels

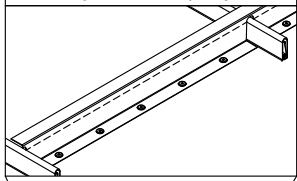
MDA923 (19 1/4" panel): The trim can cover up to 3 panels

NEOPRENE BANDS: (C)

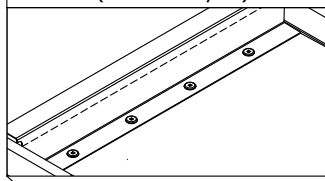
- RSO27-MRD110 (22" LENGTH)
- RSO028-MRD150 (30" LENGTH)
- RSO029-MRD194 (38 1/2" LENGTH)

Trim name: Ridge cap
Product number: FT21
Angle: To be specified

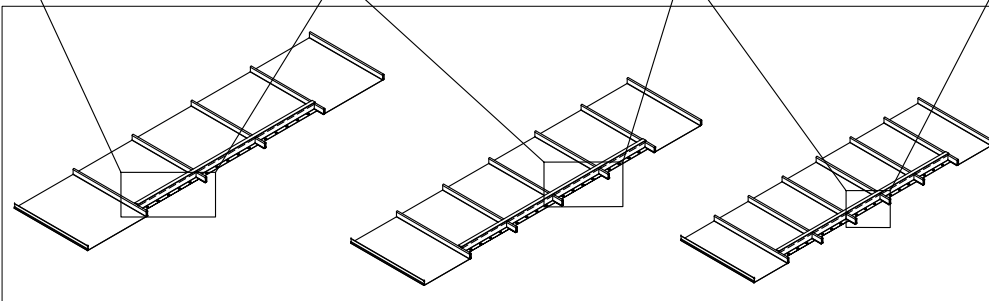
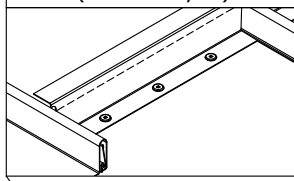
Notched z trim
 MDA923 (58 1/8")
 covers 3 panels MRD194
 (screw every 3")



Notched z trim
 MDA922 (60 1/2")
 covers 4 panels MRD115
 (screw every 3")



Notched z trim
 MDA921 (55 1/8")
 covers 5 panels MRD110
 (screw every 3")



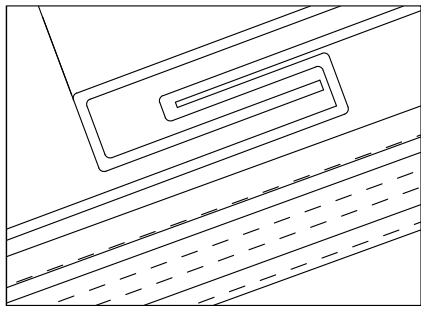
ARCHITECTURAL METAL SIDING • ROOFING
 3856 Rue Imelda-Lefebvre,
 Sherbrooke
 QC J1N 1B2
 Tél: (819) 791-3276

Product: DUTCH SEAM PANEL:
 RIDGE DETAIL

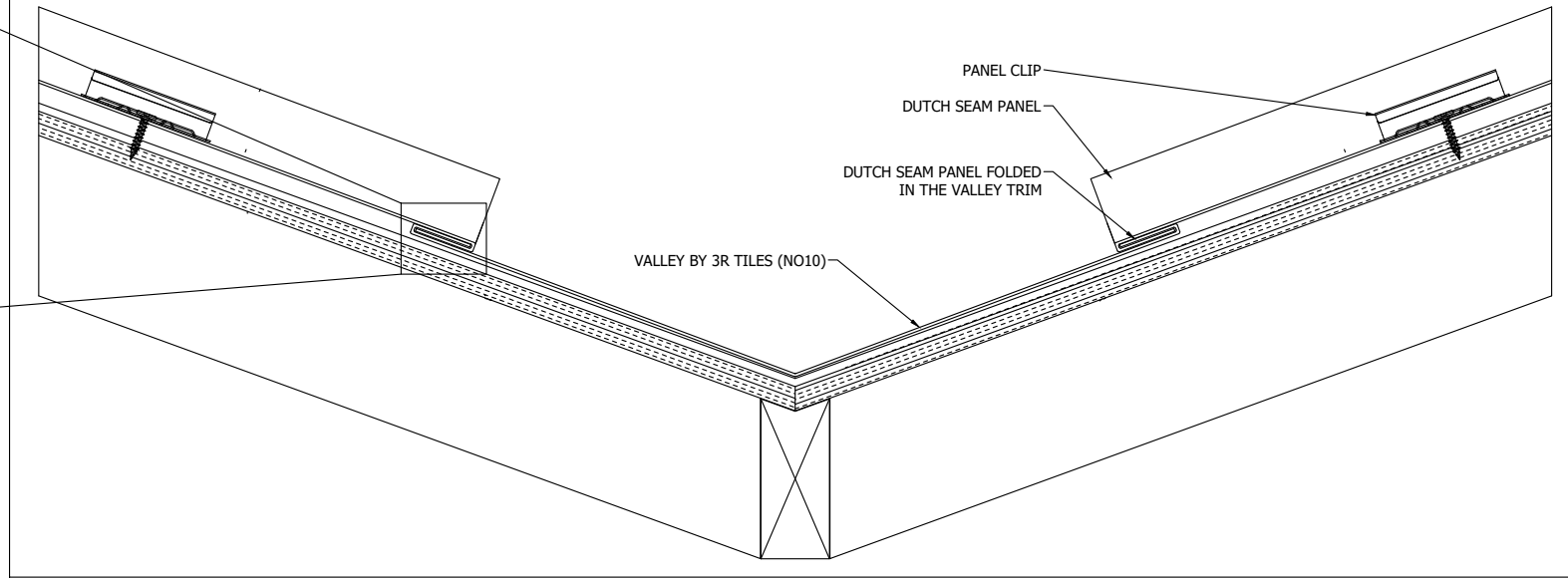
***Vertical installation on roof**
 Aluminum 0.032", 0.040"
 Steel 24 GA.

Technical file	Page: 4 / 6	Update: 2022 - 05 - 09
----------------	-------------	------------------------

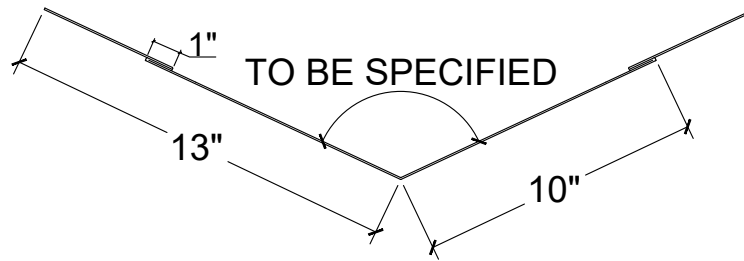
ROOF CUT: ROOF/VALLEY JUNCTION



DUTCH SEAM PANEL FOLDED IN THE VALLEY TRIM FOR INTERLOCKING

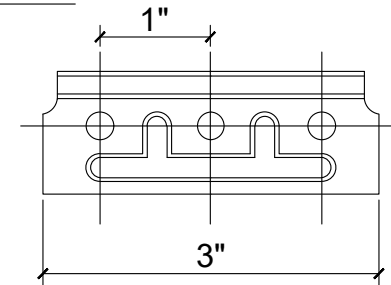


TRIM DETAIL



Trim name: VALLEY
Product number: NO10

PANEL CLIP DETAIL



Accessory name: Clip (24" C/C)
Product number: MRS904



ARCHITECTURAL METAL SIDING • ROOFING
3856 Rue Imelda-Lefebvre,
Sherbrooke

QC J1N 1B2
Tél: (819) 791-3276

Product: DUTCH SEAM PANEL:
VALLEY DETAIL

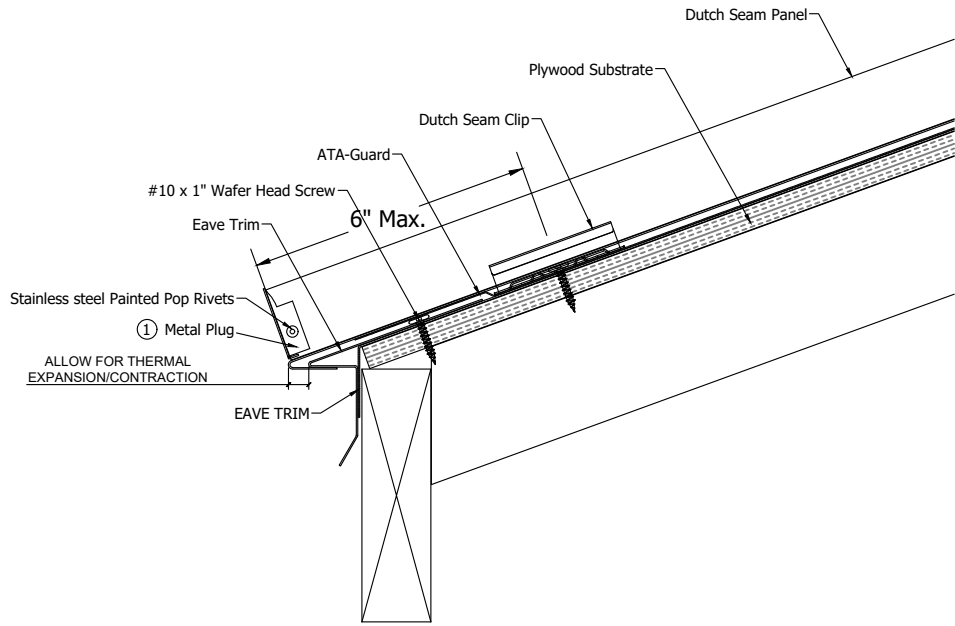
***Vertical installation on roof**
Aluminium 0.032", 0.040"
Steel 24 GA.

Technical file

Page: 5 / 6

Update: 2022 - 05 - 09

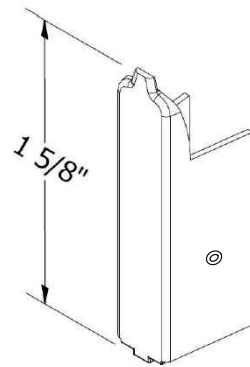
ROOF CUT: EAVE DETAIL



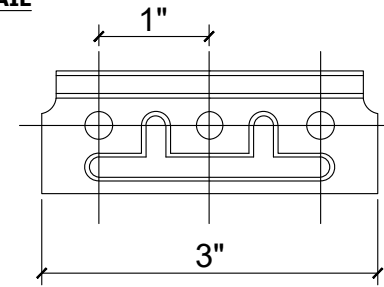
①

DUTCH SEAM ALUMINUM PLUG

MRP003

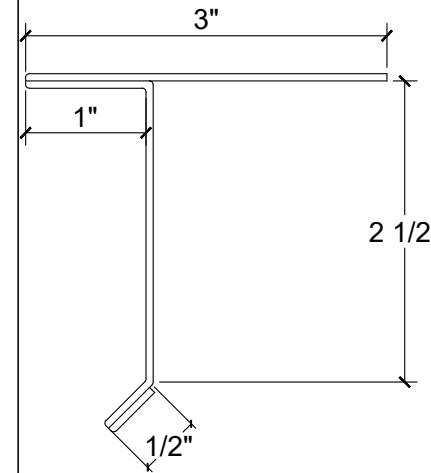


PANEL CLIP DETAIL



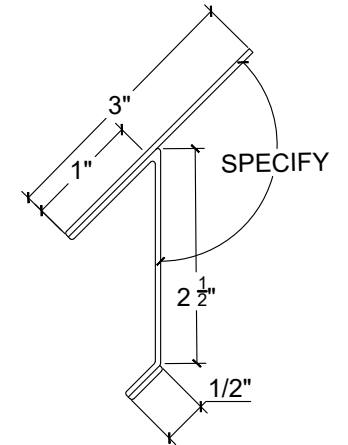
Accessory name: Clip (24" C/C)
Product number: MRS904

TRIM DETAIL



Trim name: GABLE TRIM
Product number: MD20

TRIM DETAIL



Trim name: EAVE TRIM
Product number: MD10



ARCHITECTURAL METAL SIDING • ROOFING
3856 Rue Imelda-Lefebvre,
Sherbrooke

QC J1N 1B2
Tél: (819) 791-3276

Product: DUTCH SEAM PANEL:
EAVE DETAIL

***Vertical installation on roof**
Aluminum 0.032", 0.040"
Steel 24 GA.

Technical file

Page: 6 / 6

Update: 2022 - 05 - 09