

Pop rivet
painted stainless steel
(RSR3)



ARCHITECTURAL METAL SIDING · ROOFING
3856 Rue Imelda-Lefebvre,
Sherbrooke
QC J1N 1B2
Tél: (819) 791-3276

Product:
DUTCH SEAM PANEL

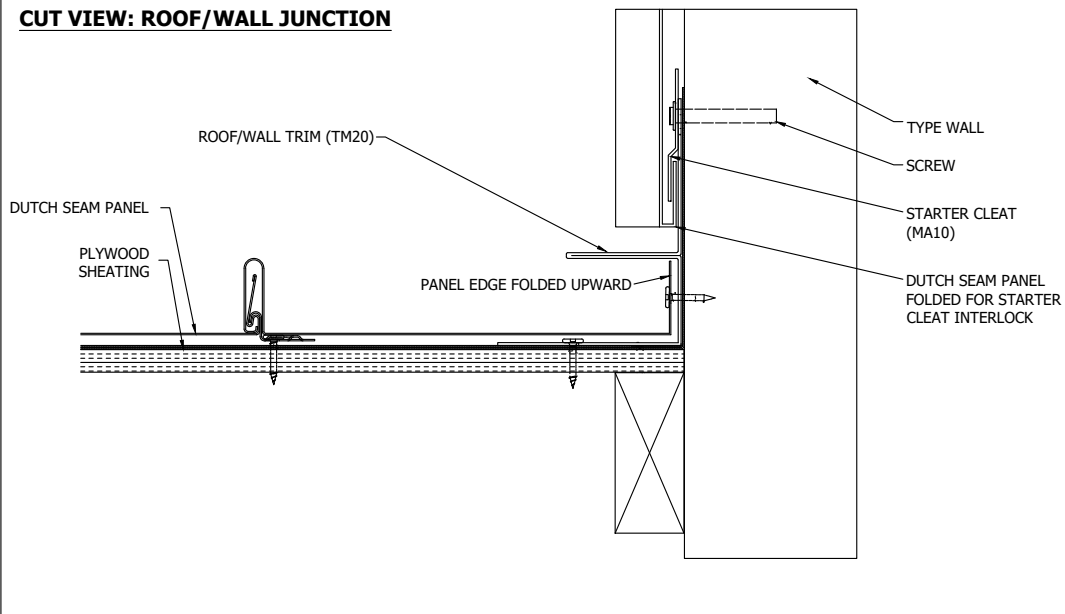
***Vertical installation on roof**
Aluminum 0.032", 0.040"
Steel 24 GA.

Technical file

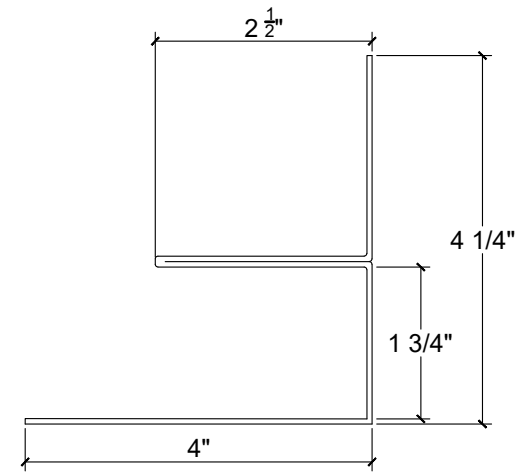
Page:
1 / 6

Update:
2022 - 05 - 09

CUT VIEW: ROOF/WALL JUNCTION



TRIM DETAIL

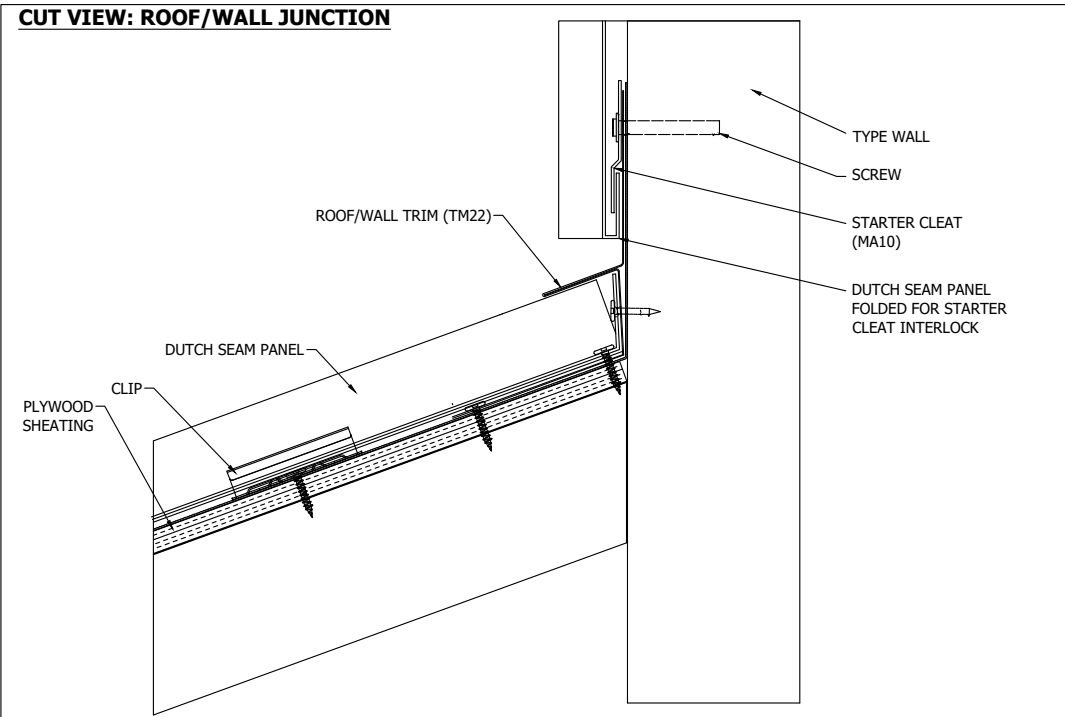


Trim name: Roof/wall junction trim

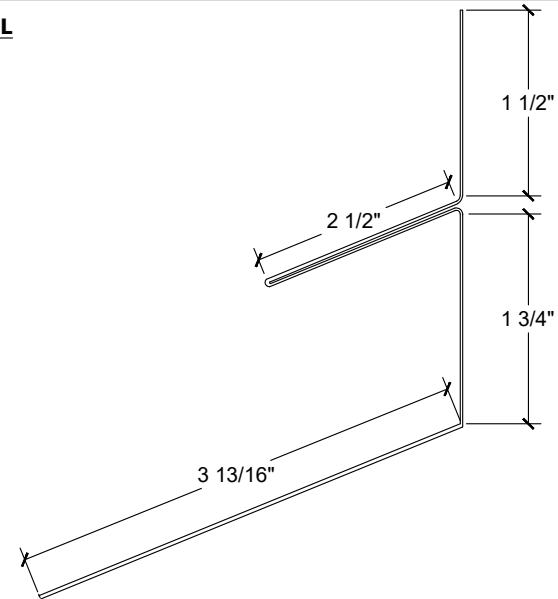
Product number: TM20

Raw material: 13,25"

CUT VIEW: ROOF/WALL JUNCTION



TRIM DETAIL



Trim name: Roof/wall junction trim

Product number: TM22

Raw material: 12,063"



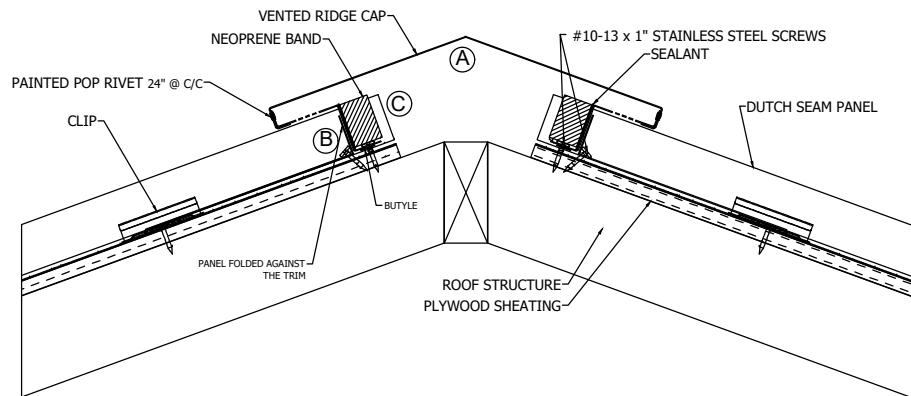
ARCHITECTURAL METAL SIDING • ROOFING
3856 Rue Imelda-Lefebvre,
Sherbrooke

QC J1N 1B2
Tél: (819) 791-3276

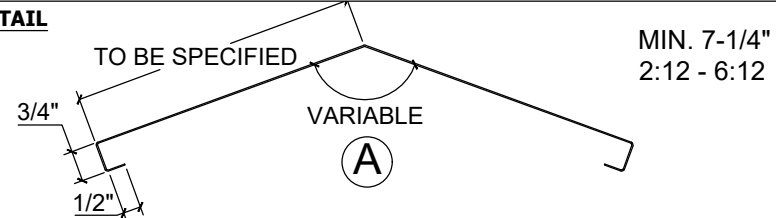
Product: DUTCH SEAM PANEL:
ROOF/WALL JUNCTION

***Vertical installation on roof**
Aluminum 0.032", 0.040"
Steel 24 GA.

ROOF CUT: VENTED RIDGE



TRIM DETAIL

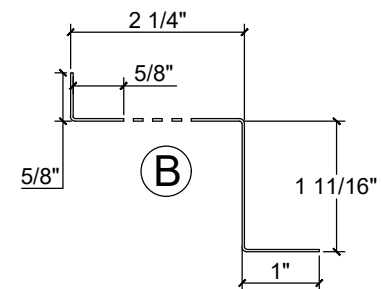


Trim name: Vented ridge cap

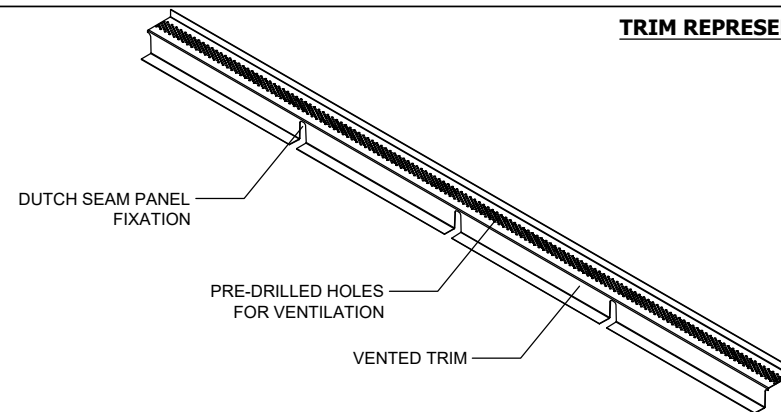
Product number: MDA322

Dimensions: To be specified

TRIM DETAIL



TRIM REPRESENTATION



Trim name: Vented notch z trim

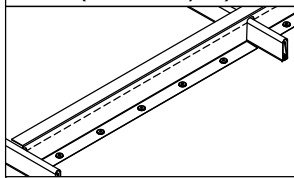
Product number:

MDA924 (11" panel): The trim can cover up to 5 panels

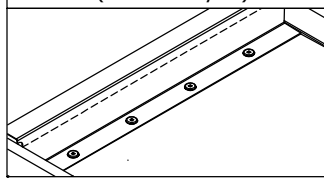
MDA925 (15" panel): The trim can cover up to 4 panels

MDA926 (19 1/4" panel): The trim can cover up to 3 panels

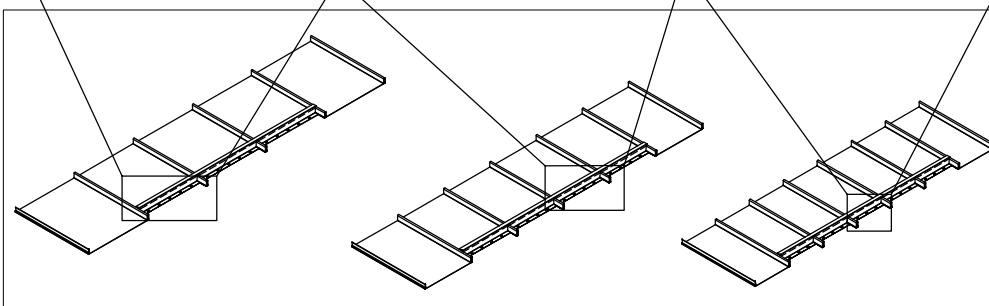
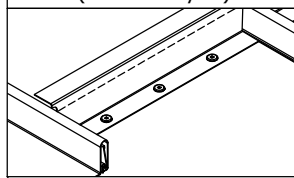
Vented notched z trim
MDA926 (58 1/8")
covers 3 panels MRD194
(screw every 3")



Vented notched z trim
MDA925 (60 1/2")
covers 4 panels MRD115
(screw every 3")



Vented notched z trim
MDA924 (55 1/8")
covers 5 panels MRD110
(screw every 3")



NEOPRENE BANDS: (C)

RSO27-MRD110 (22" LENGTH)

RSO028-MRD150 (30" LENGTH)

RSO029-MRD194 (38 1/2" LENGTH)



ARCHITECTURAL METAL SIDING • ROOFING

3856 Rue Imelda-Lefebvre,
Sherbrooke

QC J1N 1B2

Tél: (819) 791-3276

Product: DUTCH SEAM PANEL:
VENTED RIDGE

***Vertical installation on roof**

Aluminum 0.032", 0.040"

Steel 24 GA.

Technical file

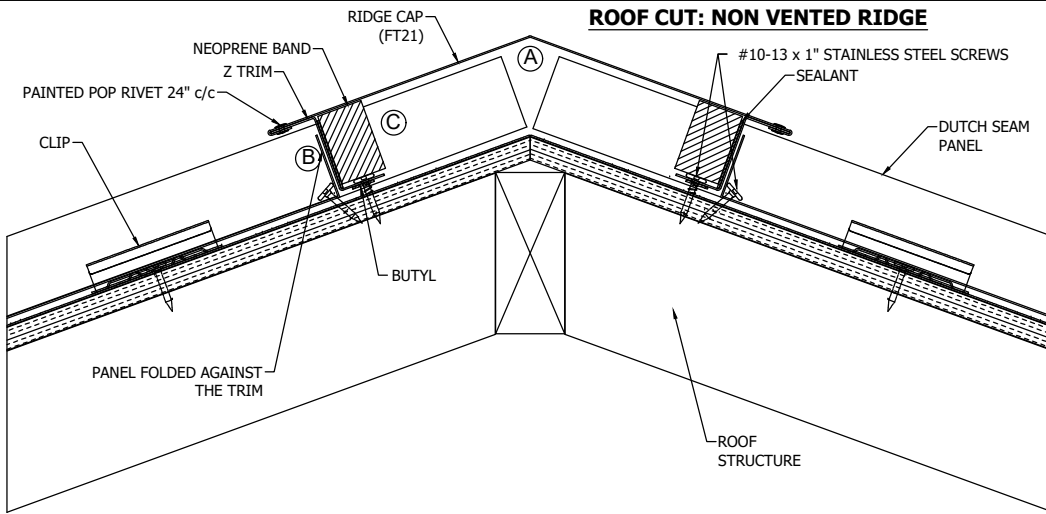
Page:

3 / 6

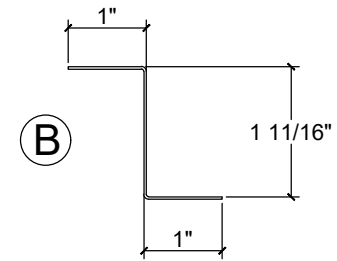
Update:

2022 - 05 - 09

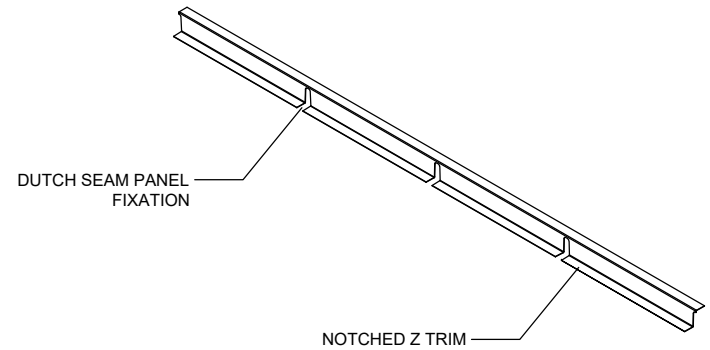
ROOF CUT: NON VENTED RIDGE



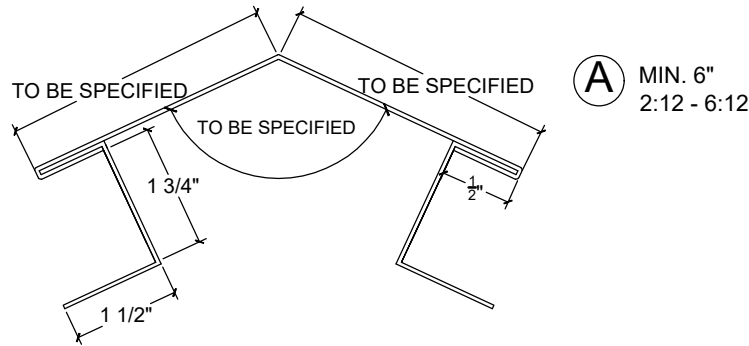
TRIM DETAIL



TRIM REPRESENTATION



TRIM DETAIL



Trim name: Vented notched z trim

Product number:

MDA921 (11" panel): The trim can cover up to 5 panels

MDA922 (15" panel): The trim can cover up to 4 panels

MDA923 (19 1/4" panel): The trim can cover up to 3 panels

NEOPRENE BANDS: ©

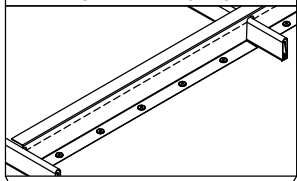
- RSO27-MRD110 (22" LENGTH)
- RSO028-MRD150 (30" LENGTH)
- RSO029-MRD194 (38 1/2" LENGTH)

Trim name: Ridge cap

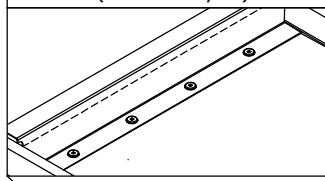
Product number: FT21

Angle: To be specified

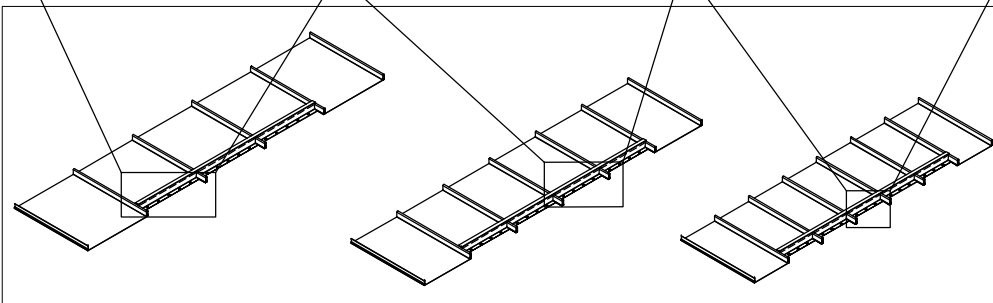
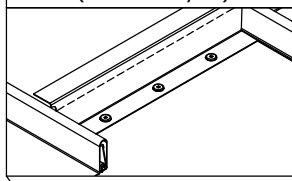
Notched z trim
MDA923 (58 1/8")
covers 3 panels MRD194
(screw every 3")



Notched z trim
MDA922 (60 1/2")
covers 4 panels MRD115
(screw every 3")



Notched z trim
MDA921 (55 1/8")
covers 5 panels MRD110
(screw every 3")



ARCHITECTURAL METAL SIDING · ROOFING
3856 Rue Imelda-Lefebvre,
Sherbrooke

QC J1N 1B2
Tél: (819) 791-3276

Product: DUTCH SEAM PANEL:
RIDGE DETAIL

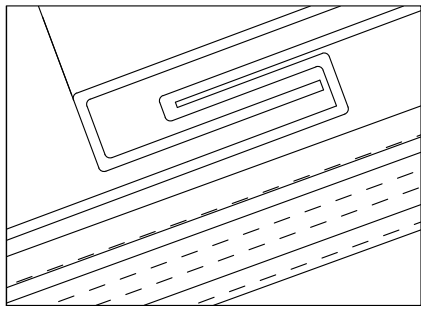
***Vertical installation on roof**
Aluminum 0.032", 0.040"
Steel 24 GA.

Technical file

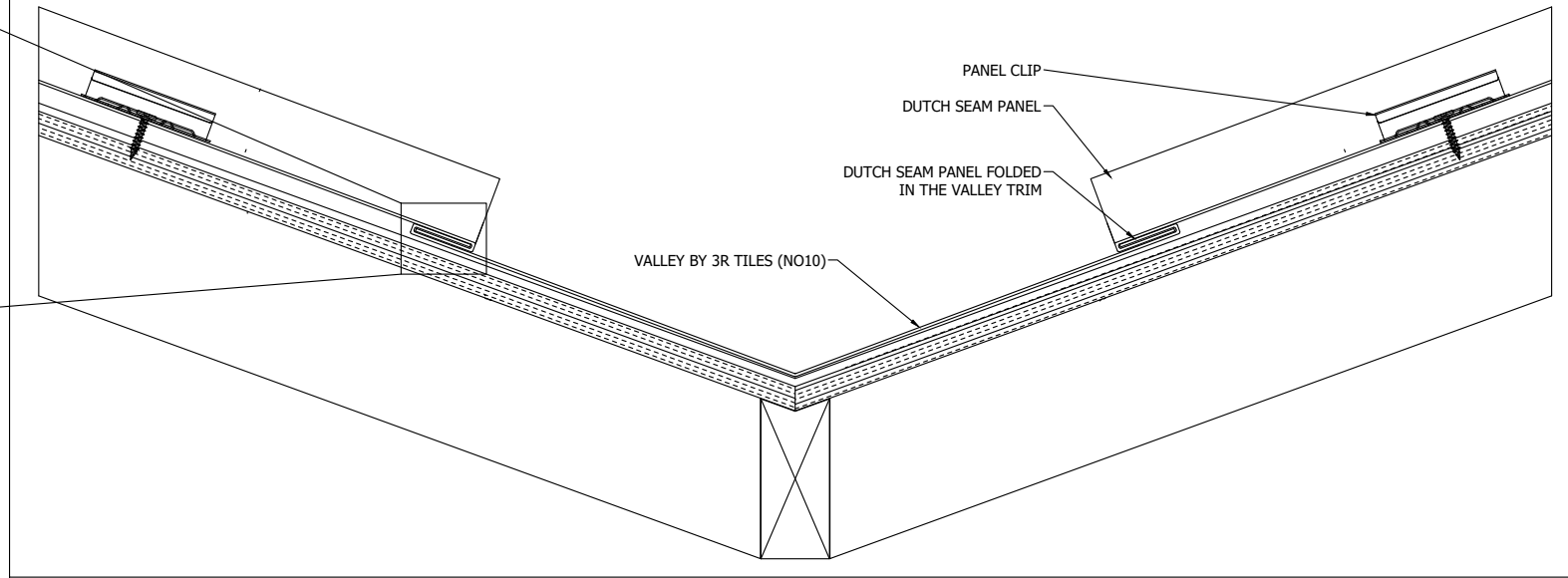
Page: 4 / 6

Update: 2022 - 05 - 09

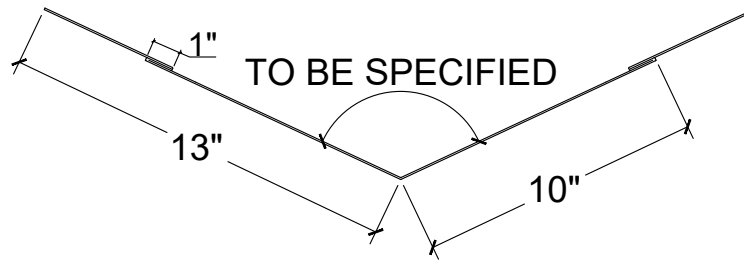
ROOF CUT: ROOF/VALLEY JUNCTION



DUTCH SEAM PANEL FOLDED IN THE VALLEY TRIM FOR INTERLOCKING

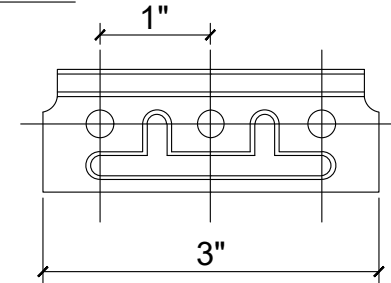


TRIM DETAIL



Trim name: VALLEY
Product number: NO10

PANEL CLIP DETAIL



Accessory name: Clip (24" C/C)
Product number: MRS904



ARCHITECTURAL METAL SIDING • ROOFING
3856 Rue Imelda-Lefebvre,
Sherbrooke

QC J1N 1B2
Tél: (819) 791-3276

Product: DUTCH SEAM PANEL:
VALLEY DETAIL

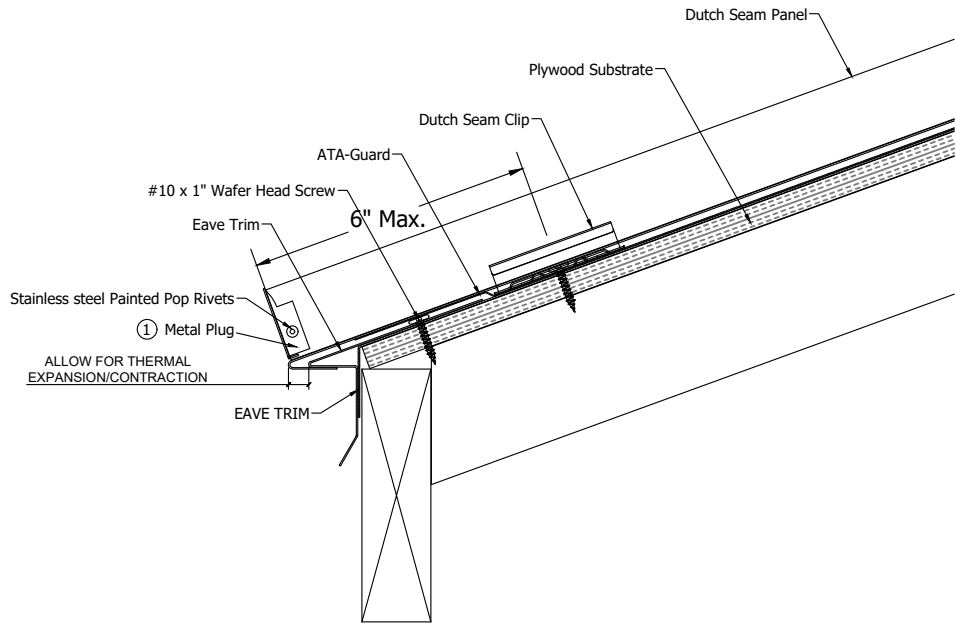
***Vertical installation on roof**
Aluminium 0.032", 0.040"
Steel 24 GA.

Technical file

Page: 5 / 6

Update: 2022 - 05 - 09

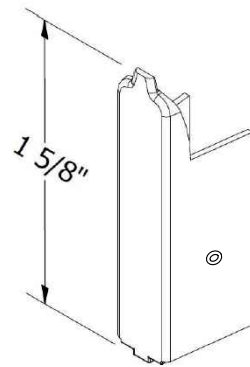
ROOF CUT: EAVE DETAIL



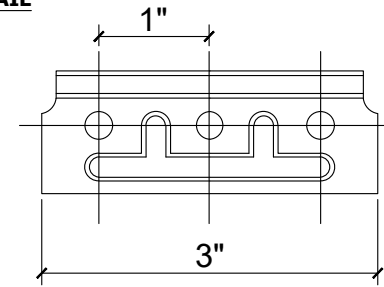
①

DUTCH SEAM ALUMINUM PLUG

MRP003

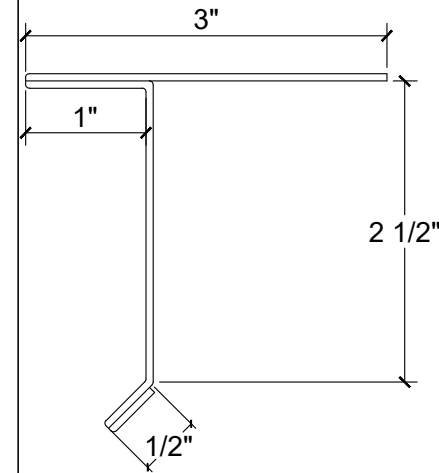


PANEL CLIP DETAIL



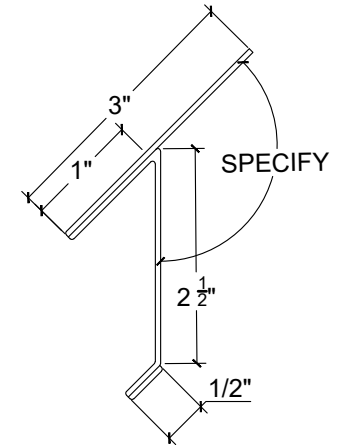
Accessory name: Clip (24" C/C)
Product number: MRS904

TRIM DETAIL



Trim name: GABLE TRIM
Product number: MD20

TRIM DETAIL



Trim name: EAVE TRIM
Product number: MD10



ARCHITECTURAL METAL SIDING • ROOFING
3856 Rue Imelda-Lefebvre,
Sherbrooke

QC J1N 1B2
Tél: (819) 791-3276

Product: DUTCH SEAM PANEL:
EAVE DETAIL

***Vertical installation on roof**
Aluminum 0.032", 0.040"
Steel 24 GA.

Technical file

Page: 6 / 6

Update: 2022 - 05 - 09